

Built-in Hood for Electric and Gas Oven

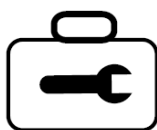
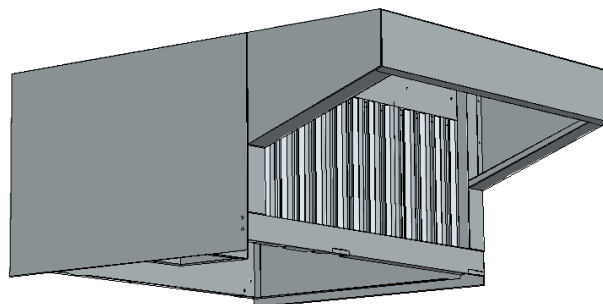
922733 HOBT11 Level 1

922734 HOBT21 Level 1

922735 HOBV11 Level 1

922736 HOBS21 Level 1

922737 HOBS11 Level 1

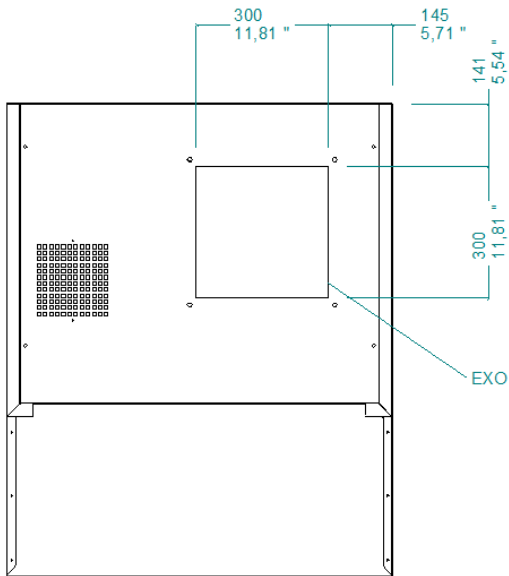
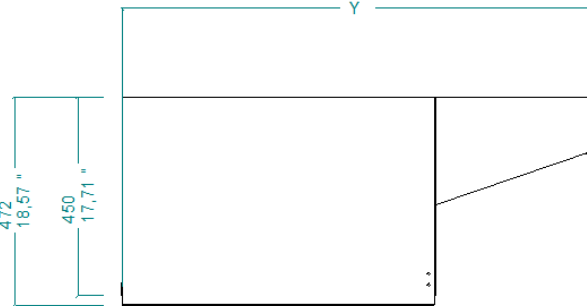
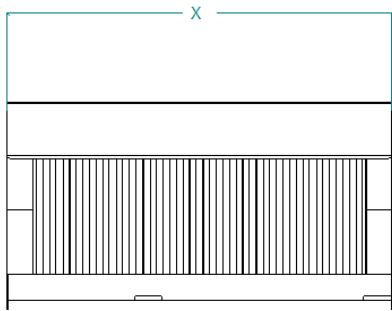


EN Installation manual*

Original Instructions



922733	HOBT11	Hoods Installation Diagram
922734	HOBT21	
922735	HOBV11	
922736	HOBS21	
922737	HOBS11	



PNC	FactModel	X		Y	
		mm	inches	mm	inches
922733	HOBT11	875	34,45	1070	42,13
922734	HOBT21	1098	43,23	1266	49,84
922735	HOBV11	917	36,1	1085	42,72
922736	HOBS21	1098	43,23	1266	49,84
922737	HOBS11	875	34,45	1070	42,13

EXO Exhaust outlet hole for duct connection

Foreword



The installation, use and maintenance manual (hereinafter Manual) provides the user with information necessary for correct and safe use of the machine (or “appliance”). The following must not be considered a long and exacting list of warnings, but rather a set of instructions suitable for improving machine performance in every respect and, above all, preventing injury to persons and animals and damage to property due to improper operating procedures.

All persons involved in machine transport, installation, commissioning, use and maintenance, repair and disassembly must consult and carefully read this manual before carrying out the various operations, in order to avoid wrong and improper actions that could compromise the machine's integrity or endanger people. Make sure to periodically inform the user regarding the safety regulations. It is also important to instruct and update personnel authorised to operate on the machine, regarding its use and maintenance.

The manual must be available to operators and carefully kept in the place where the machine is used, so that it is always at hand for consultation in case of doubts or whenever required.

If, after reading this manual, there are still doubts regarding machine use, do not hesitate to contact the Manufacturer or the authorised Service Centre to receive prompt and precise assistance for better operation and maximum efficiency of the machine.

During all stages of machine use, always respect the current regulations on safety, work hygiene and environmental protection. It is the user's responsibility to make sure the machine is started and operated only in optimum conditions of safety for people, animals and property.



IMPORTANT

- The manufacturer declines any liability for operations carried out on the appliance without respecting the instructions given in this manual.
- The manufacturer reserves the right to modify the appliances presented in this publication without notice.
- No part of this manual may be reproduced.
- This manual is available in digital format by:
 - contacting the dealer or Customer Care;
 - downloading the latest up-to-date manual on the website;
- The manual must always be kept in an easily accessed place near the machine. Machine operators and maintenance personnel must be able to easily find and consult it at any time.

Contents

A	WARNINGS AND SAFETY INFORMATION.....	5
A.1	General information.....	5
A.2	Personal Protective Equipment	6
A.3	General safety.....	6
A.4	Transport, handling and storage.....	7
A.5	Installation and assembly	7
A.6	Positioning	7
A.7	Machine scrapping.....	7
B	APPLIANCE AND MANUFACTURER'S IDENTIFICATION DATA.....	8
B.1	Data plate position	8
B.2	Appliance and manufacturer's identification data	8
C	GENERAL INFORMATION.....	9
C.1	Introduction	9
C.2	Copyright.....	9
C.3	Keeping the manual	9
C.4	Recipients of the manual.....	9
C.5	Definitions	9
C.6	Liability.....	9
D	TRANSPORT, HANDLING AND STORAGE	10
D.1	Introduction	10
D.2	Handling.....	10
D.2.1	Procedures for handling operations	10
D.2.2	Shifting	10
D.2.3	Placing the load.....	10
D.3	Unpacking.....	10
D.4	Disposal of packaging materials	11
D.5	Storage	11
E	TECHNICAL DATA	11
E.1	Required aeraulic performance	11
E.2	Hood dimensions	12
E.3	Hood weights	12
F	INSTALLATION AND ASSEMBLY	13
F.1	Place of installation	13
F.2	Unpacking and transport	13
F.2.1	Hood transport.....	14
F.3	Operations before positioning.....	14
F.3.1	On oven.....	14
F.3.2	On hood for ovens with left hinges.....	14
F.3.3	On hood for stacked ovens.....	15
F.4	Positioning	15
F.4.1	Minimum distance.....	15
F.5	Assembling hood on oven	15
F.6	Air duct connection.....	16
G	MACHINE SCRAPPING.....	17
G.1	Waste storage	17
G.2	Recyclability	17
G.3	Procedure regarding appliance dismantling macro operations.....	17

A WARNINGS AND SAFETY INFORMATION

A.1 General information

To ensure safe use of the machine and a proper understanding of the manual it is necessary to be familiar with the terms and typographical conventions used in the documentation. The following symbols are used in the manual to indicate and identify the various types of hazards:



WARNING

Danger for the health and safety of operators.



CAUTION

Risk of damage to the machine or the product.



IMPORTANT

Important instructions or information on the product



Read the instructions before using the appliance








Clarifications and explanations

- Incorrect installation, servicing, maintenance, cleaning or modifications to the unit may result in damage, injury or death.
- This appliance is intended for commercial and collective use, but not the continuous mass production of food. Any other use is deemed improper.
- Only specialised personnel are authorised to operate on the machine.
- This appliance must not be used by minors and adults with limited physical, sensory or mental abilities or without adequate experience and knowledge regarding its use.
- Do not store explosive materials, such as pressurised containers with flammable propellant, in this appliance or near it.
- Refer to the details given on the data plate for relations with the Manufacturer (e.g. when ordering spare parts, etc.).

A.2 Personal Protective Equipment

Summary table of Personal Protective Equipment (PPE) to be used during the various stages of the machine's service life.

Stage	Protective garments	Safety footwear	Gloves	Glasses	Safety helmet
					
Transport	—	●	○	—	—
Handling	—	●	○	—	—
Unpacking	●	●	●	●	—
Installation	●	●	●	●	●
Normal use	●	●	● ¹	—	—
Adjustments	○	●	●	—	—
Routine cleaning	○	●	● ¹	○	—
Extraordinary cleaning	○	●	● ¹	○	—
Maintenance	○	●	●	—	—
Dismantling	●	●	●	●	●
Scrapping	○	●	●	○	—
Key:					
●	PPE REQUIRED				
○	PPE AVAILABLE OR TO BE USED IF NECESSARY				
—	PPE NOT REQUIRED				

1. During Normal use, gloves must be heatproof to protect hands from contact with hot parts of the appliance and/or when removing hot items from it. Failure to use the personal protective equipment by operators, specialised personnel or users can involve exposure to chemical risk and possible damage to health (depending on the model).

A.3 General safety

- The machines are provided with mechanical safety devices for protecting workers and the machine itself.
- Never operate the machine, removing, modifying or tampering with the guards, protection or safety devices.
- Do not make any modifications to the parts supplied with the appliance.
- Several illustrations in the manual show the machine, or parts of it, without guards or with guards removed. This is purely for explanatory purposes. Do not use the machine without the guards or with the protection devices deactivated.
- Do not remove, tamper with or make illegible the safety, danger and instruction signs and labels on the machine.

A.4 Transport, handling and storage

Protection devices installed on the machine

- Due to their size, the machines can be stacked on top of each other during transport, handling and storage by complying with that specified on the slip placed on the packaging.
- Do not stand under suspended loads during loading/unloading operations. Unauthorised personnel must not enter the work area.
- The weight of the appliance alone is not sufficient to keep it steady.
- For machine lifting and anchoring, do not use movable or weak parts such as: casing, electrical raceways, pneumatic parts, etc.
- Do not push or pull the appliance to move it, as it may tip over.
- Machine transport, handling and storage personnel must be adequately instructed and trained regarding the use of lifting systems and personal protective equipment suitable for the type of operation carried out (e.g. overalls, safety shoes, gloves and helmet).
- When removing the anchoring systems, make sure the stability of the machine parts does not depend on the anchoring and, therefore, that this operation does not cause the load to fall off the vehicle. Before unloading the machine components, make sure all the anchoring systems are removed.
- Machine positioning, installation and disassembly must be carried out by specialised personnel.

A.5 Installation and assembly

- The operations described must be carried out in compliance with the current safety regulations, regarding the equipment used and the operating procedures.
- The plug (if present) must be accessible after positioning the appliance in the place of installation.
- Disconnect the appliance from the power supply before carrying out any installation procedure.

A.6 Positioning

- Install the appliance, taking all the safety precautions required for this type of operation, also respecting the relevant fire-prevention measures.
- Handle the appliance with care in order to avoid damage or danger to people. Use a pallet for handling and positioning.
- The installation diagram gives the appliance overall dimensions.
- NB: The room must have an adequate air inlets for the hood to be used at the same time as appliances using gas or other fuels.
- The appliances are not suitable for recess-mounting.
- Check and, if necessary, level the appliance after positioning.

A.7 Machine scrapping

- Dismantling operations must be carried out by specialised personnel.

B APPLIANCE AND MANUFACTURER'S IDENTIFICATION DATA

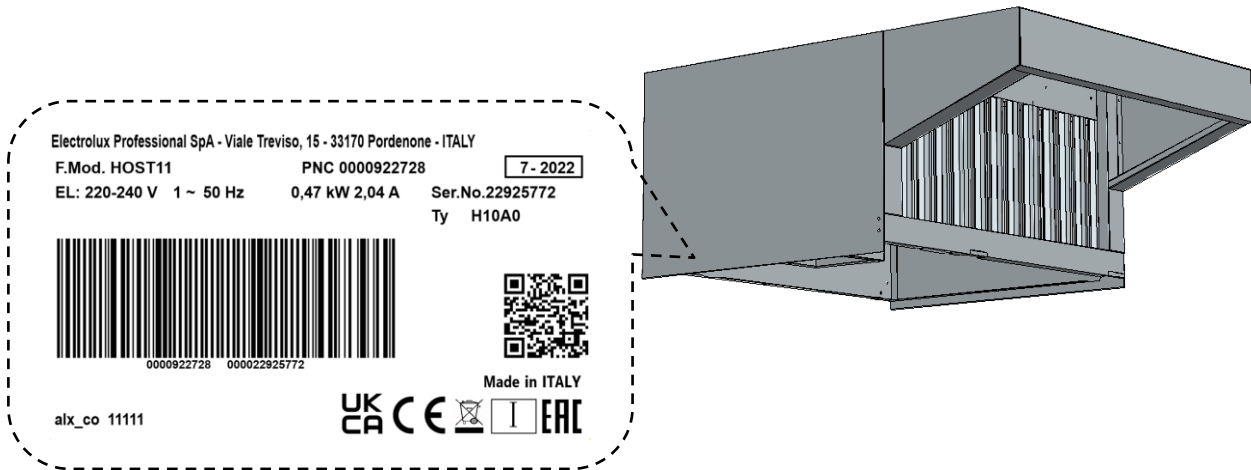


IMPORTANT

The hood is intended specifically work with the Electrolux Professional SkyLine and Magistar Oven only; the manufacturer declines any responsibility in case of different use.

B.1 Data plate position

This instruction manual contains information relevant to various appliances. See the data plate located on the left side to identify the appliance (see the picture below).



B.2 Appliance and manufacturer's identification data

An example of the marking or data plate on the machine is given below:



The data plate gives the product identification and technical data. The meaning of the various information given on it is listed below:

F.Mod.	factory description of product
Comm.Model	commercial description
PNC	production number code
Ser.No.	serial number
Ty	family type
Electrolux Professional SpA Viale Treviso 15 33170 Pordenone Italy	manufacturer
Made in EU	place of manufacture
99-9999	month/year of manufacture

C GENERAL INFORMATION

C.1 Introduction

Given below is some information regarding the intended use of this appliance, its testing, and a description of the symbols used (identifying the type of warning), the definitions of terms used in the manual and useful information for the appliance user.

C.2 Copyright

This manual is intended solely for consultation by the operator and can only be given to third parties with the permission of Electrolux Professional SpA.

C.3 Keeping the manual

The manual must be carefully kept for the entire life of the machine, until scrapping. The manual must stay with the machine in case of transfer, sale, hire, granting of use or leasing.

C.4 Recipients of the manual

This manual is intended for:

- the carrier and handling personnel;
- installation and commissioning personnel;
- the employer of machine users and the workplace manager;
- operators for normal machine use;
- specialised personnel - Customer Care (see service manual).

C.5 Definitions

Listed below are the definitions of the main terms used in the manual. It is advisable to read them carefully before use.

Operator	machine installation, adjustment, use, maintenance, cleaning, repair and transport personnel.
Machine	Hood installed above the oven
Manufacturer	Electrolux Professional SpA or any other service centre authorised by Electrolux Professional SpA.
Operator for normal machine use	an operator who has been informed and trained regarding the tasks and hazards involved in normal machine use
Customer Care or specialised personnel	an operator instructed/trained by the Manufacturer and who, based on his professional and specific training, experience and knowledge of the accident prevention regulations, is able to appraise the operations to be carried out on the machine and

	recognise and prevent any risks. His professionalism covers the mechanical, electrotechnical and electronics fields, etc.
Danger	source of possible injury or harm to health.
Hazardous situation	any situation where an operator is exposed to one or more hazards.
Risk	a combination of probabilities and risks of injury or harm to health in a hazardous situation.
Protection devices	safety measures consisting of the use of specific technical means (guards and safety devices) for protecting operators against risks.
Guard	an element of a machine used in a specific way to provide protection by means of a physical barrier.
Safety device	a device (other than a guard) that eliminates or reduces the risk; it can be used alone or in combination with a guard.
Customer	the person who purchased the machine and/or who manages and uses it (e.g. company, entrepreneur, firm).

C.6 Liability

The Manufacturer declines any liability for damage and malfunctioning caused by:

- non-compliance with the instructions contained in this manual;
- repairs not carried out in a workmanlike fashion, and replacements with parts different from those specified in the spare parts catalogue (the fitting and use of non-original spare parts and accessories can negatively affect machine operation and invalidates the original manufacturer's warranty);
- operations carried out by non-specialised personnel;
- unauthorised modifications or operations;
- lack of or inadequate maintenance;
- improper machine use;
- unforeseeable extraordinary events;
- use of the machine by uninformed and untrained personnel;
- non-application of the current provisions in the country of use, concerning safety, hygiene and health in the workplace.

The Manufacturer declines any liability for damage caused by arbitrary modifications and conversions carried out by the user or the Customer.

The employer, workplace manager or service technician are responsible for identifying and choosing adequate and suitable personal protective equipment to be used by operators, in compliance with regulations in force in the country of use.

The Manufacturer declines any liability for inaccuracies contained in the manual, if due to printing or translation errors.

Any supplements to the installation, use and maintenance manual the Customer receives from the Manufacturer will form an integral part of the manual and therefore must be kept together with it.

D TRANSPORT, HANDLING AND STORAGE

D.1 Introduction

Transport (i.e. transfer of the machine from one place to another) and handling (i.e. transfer inside workplaces) must occur with the use of special and adequate means.



CAUTION

- The machine must only be transported, handled and stored by specialised personnel, who must have:
- specific technical training and experience in the use of lifting systems;
- knowledge of the safety regulations and applicable laws in the relevant sectors;
- knowledge of the general safety rules;
- personal protective equipment suitable for the type of operation carried out;
- the ability to recognise and avoid any possible hazard.

D.2 Handling

Arrange a suitable area with flat floor for machine unloading and storage operations.

D.2.1 Procedures for handling operations

Before lifting:

- send all operators to a safe position and prevent persons from entering the handling area;
- make sure the load is stable;
- make sure no material can fall during lifting. Manoeuvre vertically in order to avoid impacts;
- handle the machine, keeping it at minimum height from the ground.

For correct and safe lifting operations:

- use the type of equipment most suitable for characteristics and capacity (e.g. electric pallet truck or lift truck);
- cover sharp edges;

- check the forks and lifting procedures according to the instructions given on the packaging.

D.2.2 Shifting

The operator must:

- have a general view of the path to be followed;
- stop the manoeuvre in case of hazardous situations.

D.2.3 Placing the load

- Before placing the load, make sure the way is free and that the floor is flat and can take the load.
- Remove the appliance from the wooden pallet, move it to one side, then slide it onto the floor.

D.3 Unpacking



IMPORTANT

Immediately check for any damage caused during transport.

Inspect the packaging before and after unloading.




1. Remove the packaging.
2. Keep all the documentation contained in the packaging.

Note

- The forwarder is responsible for the goods during transport and delivery.
- Make a complaint to the forwarder in case of visible or hidden damage.
- Specify any damage or shortages on the dispatch note.
- The driver must sign the dispatch note: the forwarder can reject the claim if the dispatch note is not signed (the forwarder can provide the necessary form).
- For hidden damage or shortages becoming apparent only after unpacking, ask the forwarder for inspection of the goods within and not later than 15 days after delivery.

D.4 Disposal of packaging materials

The packaging materials must be disposed of in compliance with the current regulations in the country where the appliance is used. All the packaging materials are environmentally friendly. They can be safely kept, recycled or burned in an appropriate waste incineration plant. Recyclable plastic parts are marked as follows:

	Polyethylene <ul style="list-style-type: none"> • Outer wrapping • Instructions bag
	Polypropylene <ul style="list-style-type: none"> • Straps
	Polystyrene foam <ul style="list-style-type: none"> • Corner protectors

The parts in wood and cardboard can be disposed of, respecting the current regulations in the country where the machine is used.

D.5 Storage

The machine and/or its parts must be stored and protected from damp, in a non-aggressive place, free of vibrations and with room temperatures between – 10 °C [14 °F and 50 °C [122 °F].

The place where the machine is stored must have a flat support surface to avoid deforming the machine or damage to the support feet.



CAUTION

Do not make modifications to the parts supplied with the appliance. Any missing or faulty parts must be replaced with original parts.

E TECHNICAL DATA

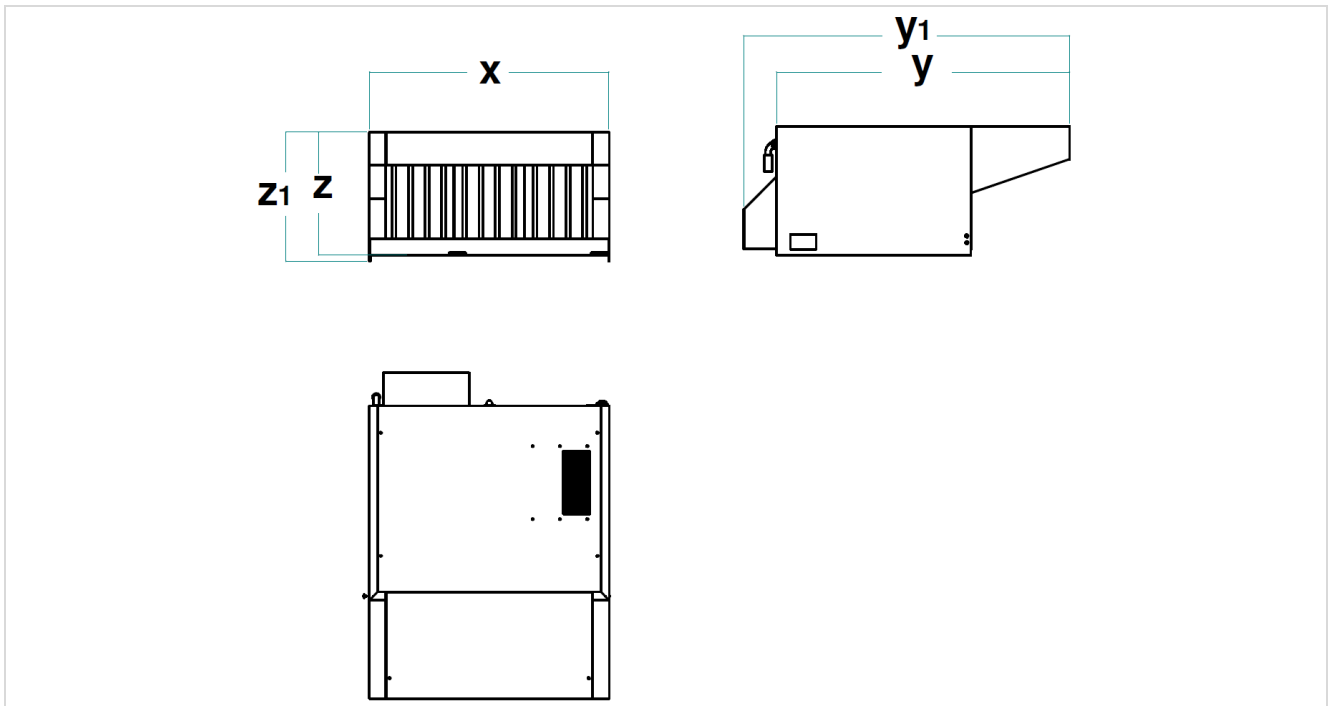
E.1 Required aeraulic performance

The following items are designed to be connected to a duct system to expel the exhausted air to the outside of the kitchen. **The air management system must be designed, built and installed by authorised personnel or companies.**

Given below is the data required for calculating characteristics to ensure maximum efficiency of the appliance. Example: **min. duct section 300 x 300 mm** (118.11 x 118.11 inches).

MODELS		Exhaust air flow	
		m3/h	ft ³ /h
922733	HOBT11	1.600	56.503
922734	HOBT21		
922735	HOBV11		
922736	HOBS21		
922737	HOBS11		

E.2 Hood dimensions



MODELS		Width		Depth		Depth stacking model		Height		Tot. Height	
		x		y		y1		z		z1	
		mm	inches	mm	inches	mm	inches	mm	inches	mm	inches
922733	HOBT11	875	34,45	1070	42,13			450	17,72	472	18,58
922734	HOBT21	1098	43,23	1266	49,84			450	17,72	472	18,58
922735	HOBV11	917	36,10	1085	42,72			450	17,72	472	18,58
922736	HOBS21	1098	43,23	1266	49,84	1387	54,61	450	17,72	472	18,58
922737	HOBS11	875	34,45	1070	42,13	1191	46,89	450	17,72	472	18,58

E.3 Hood weights

MODELS		Kg	lb
922733	HOBT11	23	51
922734	HOBT21	27	60
922735	HOBV11	23	51
922736	HOBS21	29	64
922737	HOBS11	24	53

F INSTALLATION AND ASSEMBLY

F.1 Place of installation

- The appliance must be installed in compliance with the applicable local and national regulations:
 - concerning air intake and exhaust;
 - the ventilation requirements specified for cooking equipment must be met;
 - special precautions must be taken when there are other naked-flame appliances in the same room, to prevent the return of fumes;
 - if the hood is installed over a gas appliance, a non-self-resetting device that shuts off the gas supply to the appliance if the hood stops working must be fitted in accordance with the national gas regulations;
 - hood installation must comply with the applicable gas regulations.
- The following items must be connected to an extraction system by means of the hood exhaust hole. The system must only be installed by authorised persons in accordance with:
 - the required Aeraulic Performance (see chap. E.2 – page 11);
 - the following manufacturer’s installation instructions;
 - the local rules and regulations regarding extraction systems, municipal building, electrical systems, water drainage, health authorisations, and any other applicable regulations on air intake and exhaust systems.

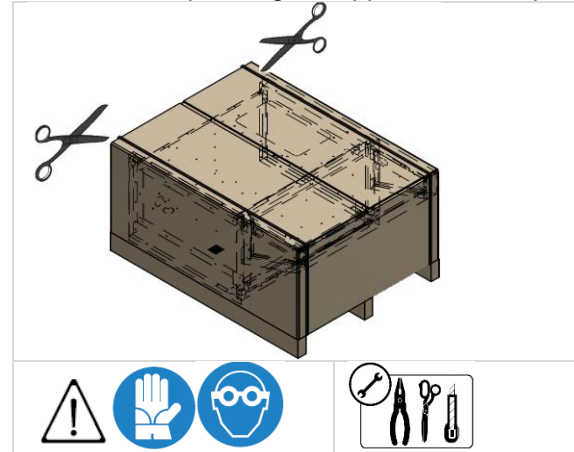
922733	HOBT11
922734	HOBT21
922735	HOBV11
922736	HOBS21
922737	HOBS11

- Before installing the hood, make sure the oven is installed in compliance with the Oven Installation Manual (chap. F - "INSTALLATION AND ASSEMBLY")
- for AUSTRALIA only:
This appliance can only be installed by authorised persons and in accordance with the manufacturer’s installation instructions, local gas fitting regulations, municipal building codes, electrical wiring regulations, local water supply regulations, AS5601-gas installation, health authorities and any other applicable regulations. The appliance must be installed in accordance with AS / NZS 3500.1 and AS/NZS

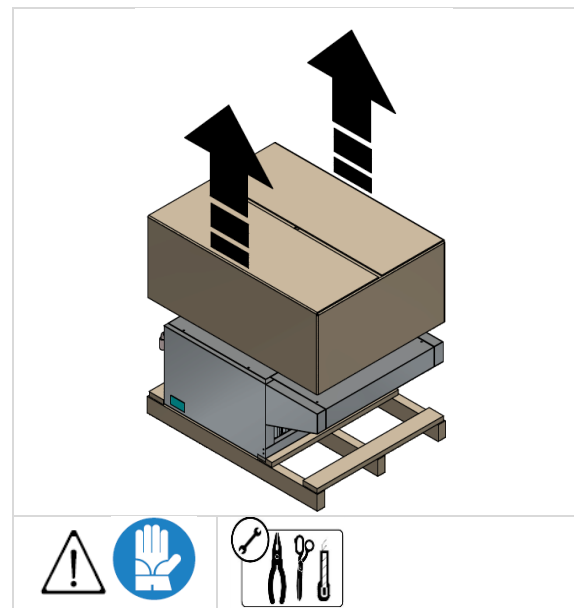
3500.3 standards. This unit is supplied with a Watermark certified backflow prevention device.

F.2 Unpacking and transport

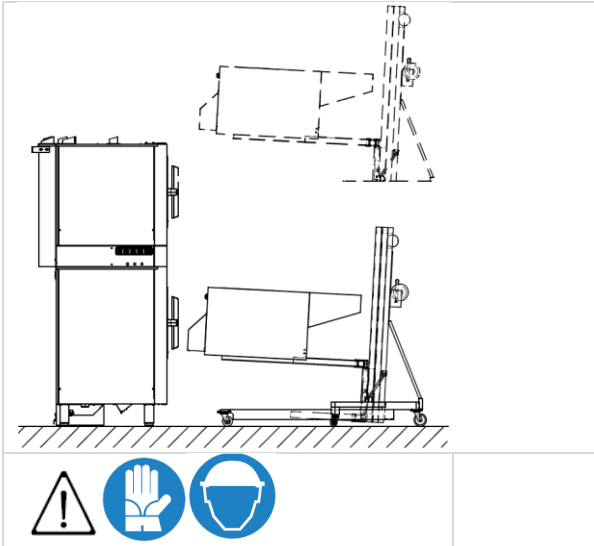
- Cut the straps fixing the appliance to the pallet;



Remove the staples and the cardboard from the appliance;



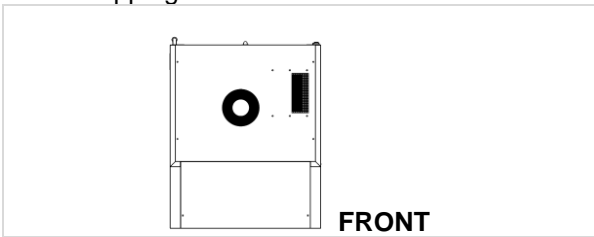
- Lift the appliance and pallet using suitable lifting equipment and place the hood in front the oven;



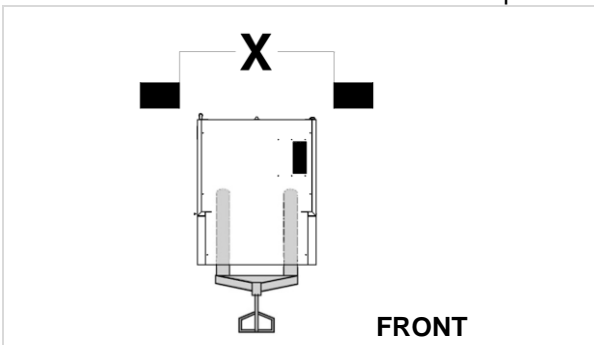
3. Remove the protective film, taking care not to scratch the surface if scissors or blades are used;

F.2.1 Hood transport

- Keep the hood evenly balanced to prevent it from tipping over.



- take into account the size and access space.



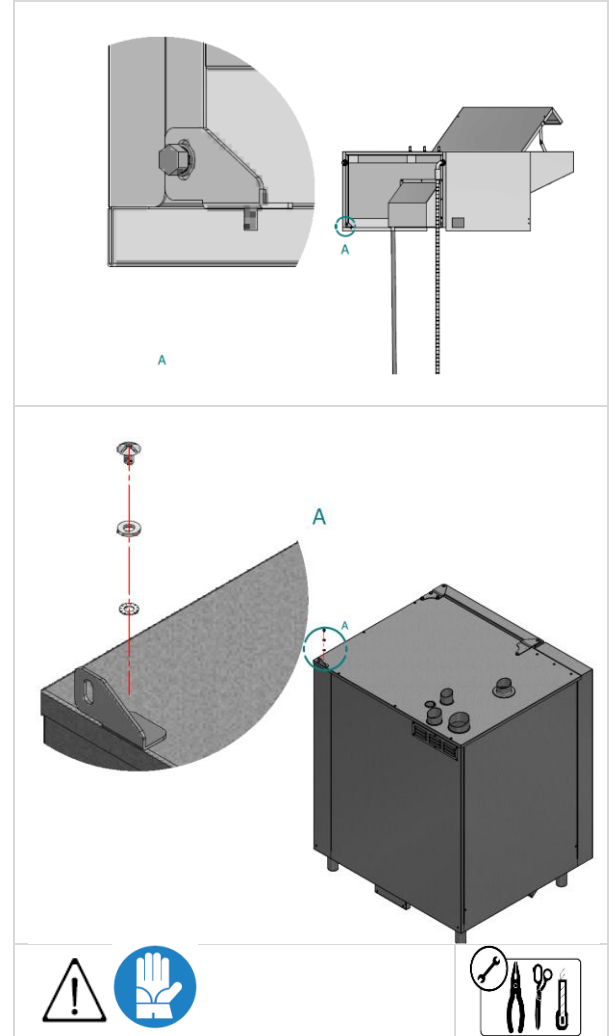
MODELS		Width	
		x	
		mm	inches
922733	HOBT11	875	34,45
922734	HOBT21	1098	43,23
922735	HOBV11	917	36,10
922736	HOBS21	1098	43,23
922737	HOBS11	875	34,45

F.3 Operations before positioning

Before installing the hood, proceed as follows:

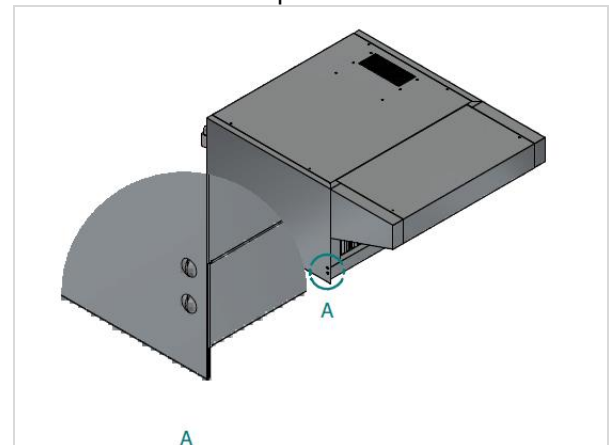
F.3.1 On oven

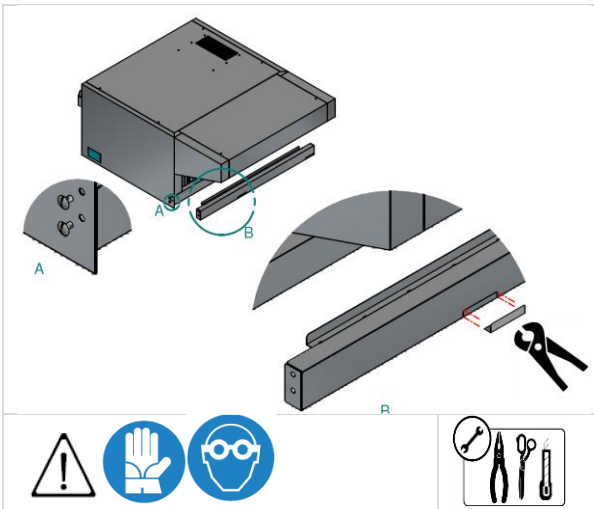
1. Unscrew and remove the fixing bracket from the right rear of the hood;
2. undo the screw on upper right rear of the oven;
3. fix the bracket to the oven using the screw and toothed washer supplied.



F.3.2 On hood for ovens with left hinges

1. Unscrew to remove front panel of the hood;
2. remove the pre-cut parts;
3. assemble the front panel of the hood.



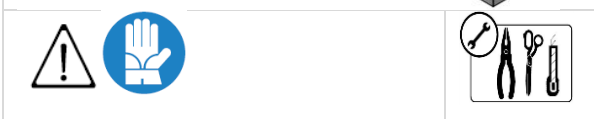
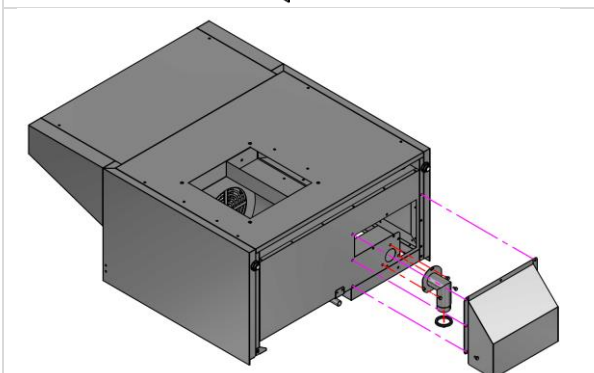
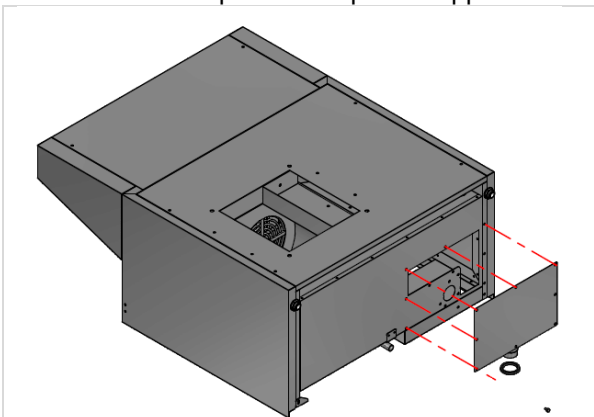


F.3.3 On hood for stacked ovens

The following items are supplied with a kit for stacking ovens:

922736	HOB521
922737	HOB511

1. Unscrew to remove the rear panel of the hood;
2. assemble the pipe and seal supplied;
3. assemble the special rear panel supplied.

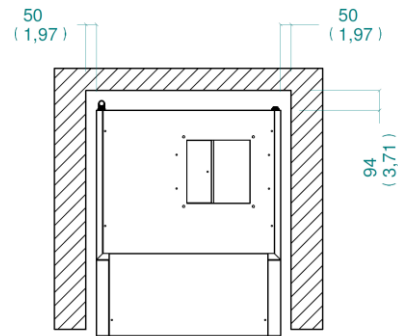


F.4 Positioning

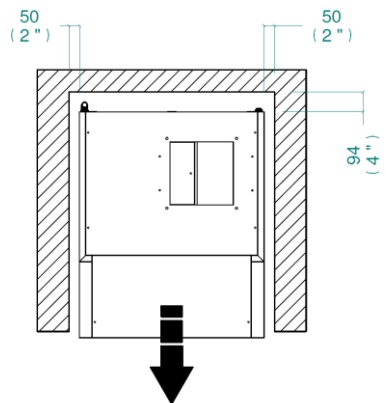
F.4.1 Minimum distance

For the overall space required and connection dimensions, refer to the Hood Installation Diagrams (see page 2) and chap. F of the oven "Installation Manual";

All sides of the appliance must be at least 50 mm from any surface.

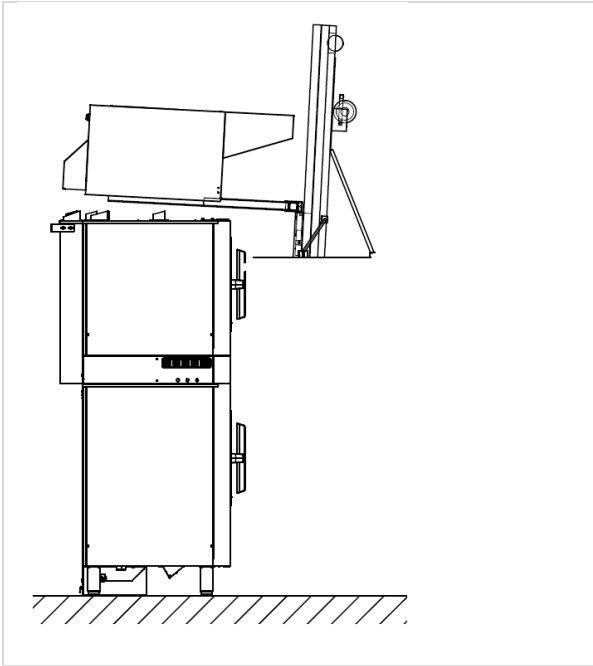


- If hood maintenance is required, shift the oven forward using suitable equipment.

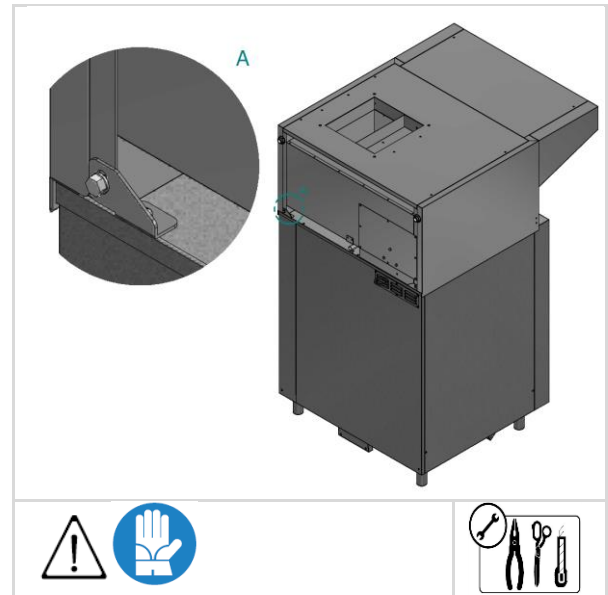


F.5 Assembling hood on oven

1. Lift the hood over the oven
2. Align the hood with the oven



3. Fix the hood and oven to the previously assembled support (ref. F.3.1) using the screws and toothed washers supplied, to ensure mechanical fastening and the equipotential connection.



F.6 Air duct connection

The following items are arranged for the connection of a 300x300 (118.11 x 118.11 inches) duct:

922733	HOBT11
922734	HOBT21
922735	HOBV11
922736	HOBS21
922737	HOBS11

To install the ducts refer to the “Hood Installation Diagram” (page 2) and chapter E.1 “Required aeraulic performance” (page 11).

G MACHINE SCRAPPING



WARNING

Refer to
“WARNINGS and
Safety Information “

G.1 Waste storage

At the end of the product's life-cycle, make sure it is not dispersed in the environment. The doors must be removed before scrapping the appliance. SPECIAL waste materials can be stored temporarily while awaiting treatment for disposal and/or permanent storage. In any case, the current environmental protection laws in the user's country must be observed.

G.2 Recyclability

Our appliances are manufactured using more than 90% metals (stainless steel, aluminium, galvanised sheet,

copper, etc.) which can be recycled by means of the conventional recovery structures, in compliance with the current regulations in the country of use.

G.3 Procedure regarding appliance dismantling macro operations

Before scrapping the machine, make sure to carefully check its condition, and in particular any parts of the structure that can give or break during scrapping. The machine's parts must be disposed of in a differentiated way, according to their different characteristics (e.g. metals, oils, greases, plastic, rubber, etc.).

Different regulations are in force in the various countries, therefore comply with the provisions of the laws and competent bodies in the country where scrapping takes place. In general, the appliance must be taken to a specialised collection/scrapping centre. Dismantle the appliance, grouping the components according to their chemical characteristics, remembering that the compressor contains lubricant oil and refrigerant fluid which can be recycled, and that the refrigerator components are special waste assimilable with urban waste.



NOTE!

When scrapping the machine, any markings, this manual, and other documents concerning the appliance, must be destroyed.

Electrolux Professional SpA
Viale Treviso 15
33170 Pordenone
www.electroluxprofessional.com